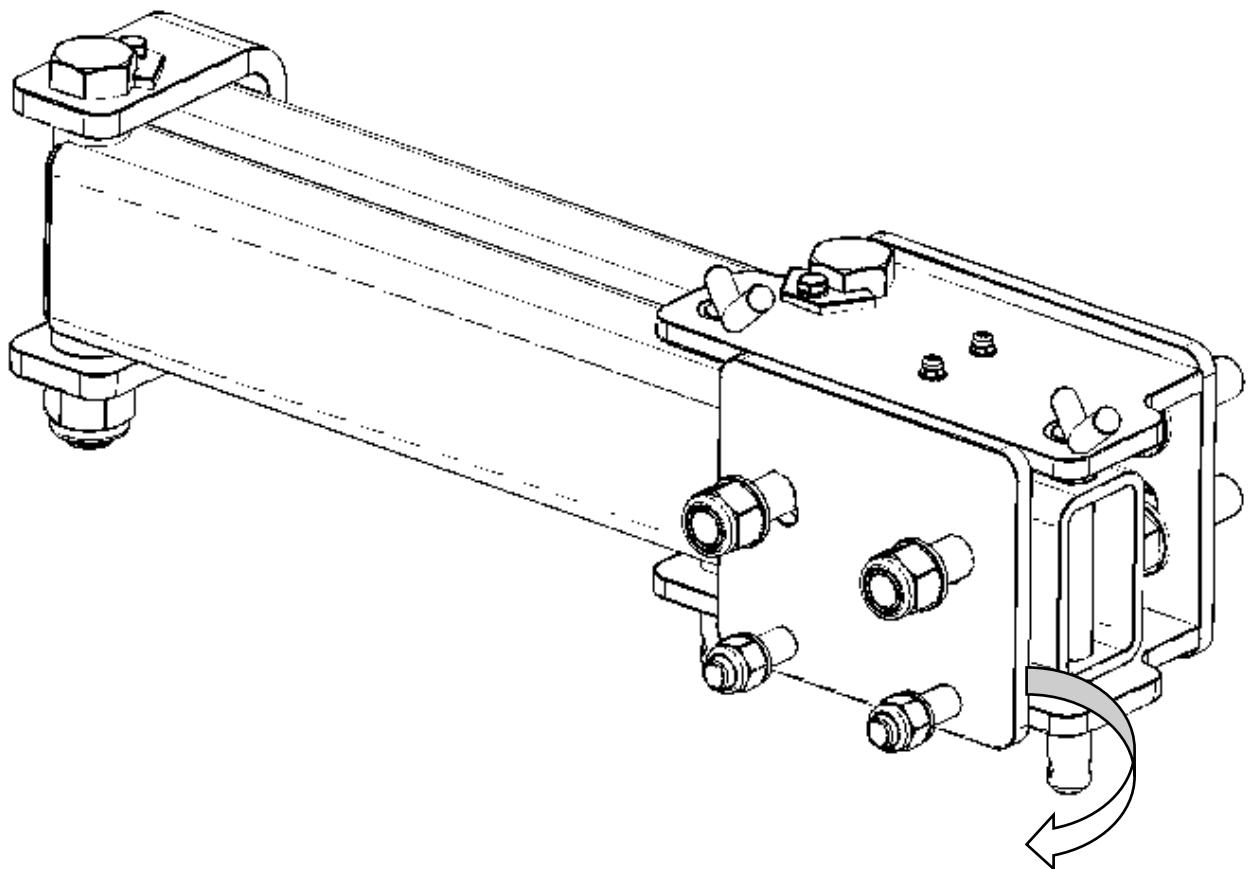
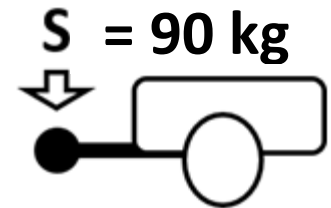


Installation manual

Bike carrier pivoting module

SWINGY

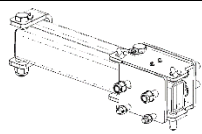






REMORQUES
DU NORD




car
attelage

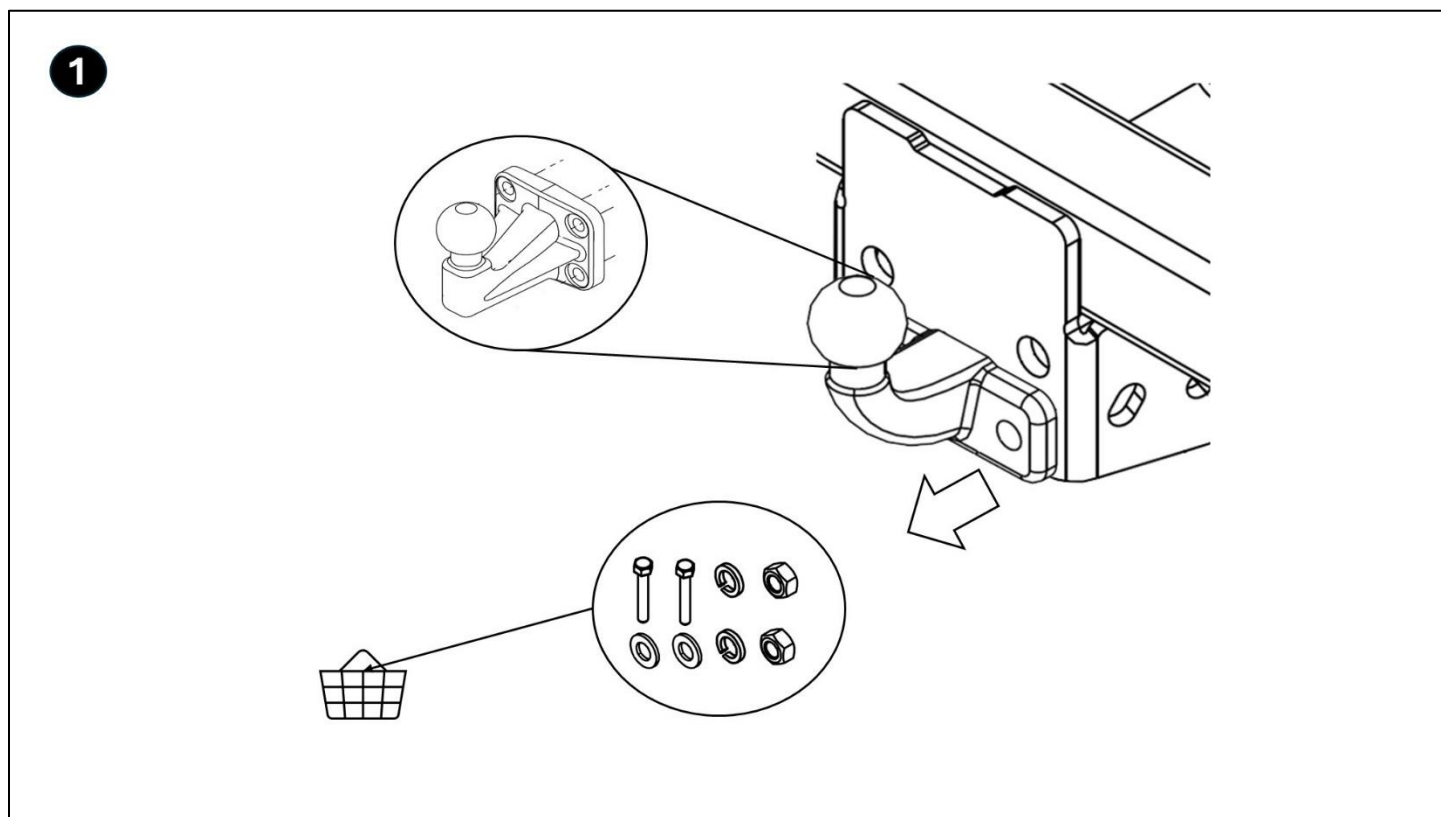
Fitting

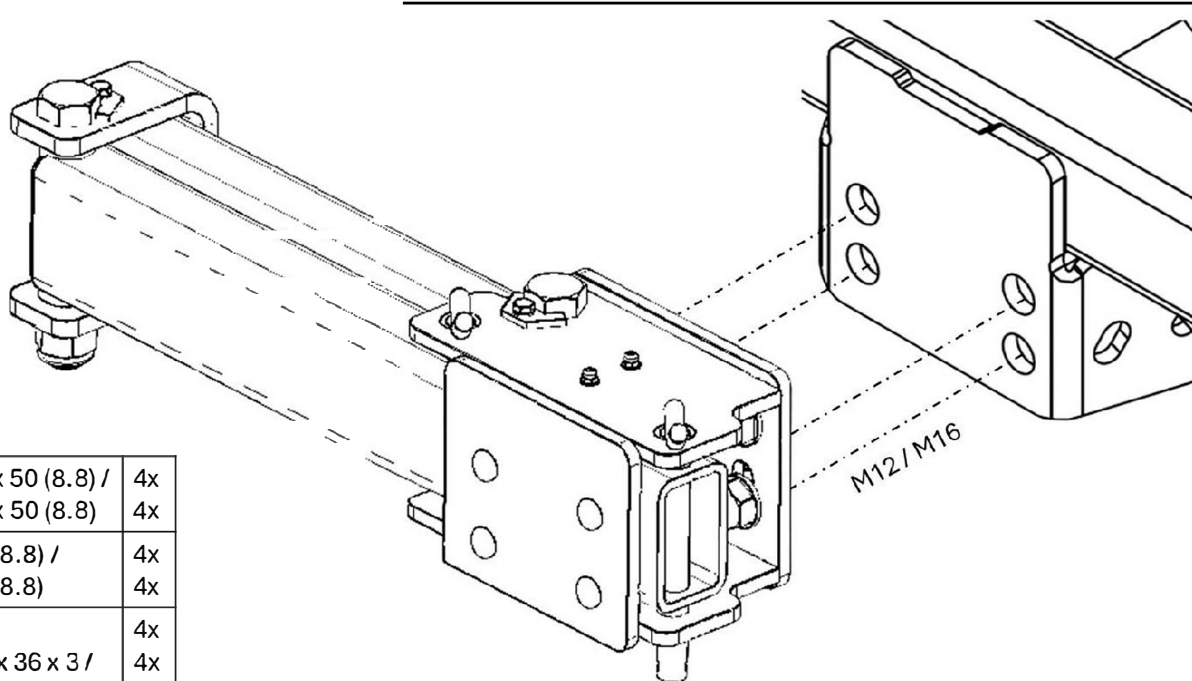
	Swivel module	1x
	M12x50 (8.8) M16x55 (8.8)	4x 4x
	M12 (8.8) M16 (8.8)	4x 4x





	Ø 12 Ø 12 x 36 x 3 Ø 16	4x 4x 8x
	Ø 12 Ø 16	4x 4x

Torque settings for nuts and bolts

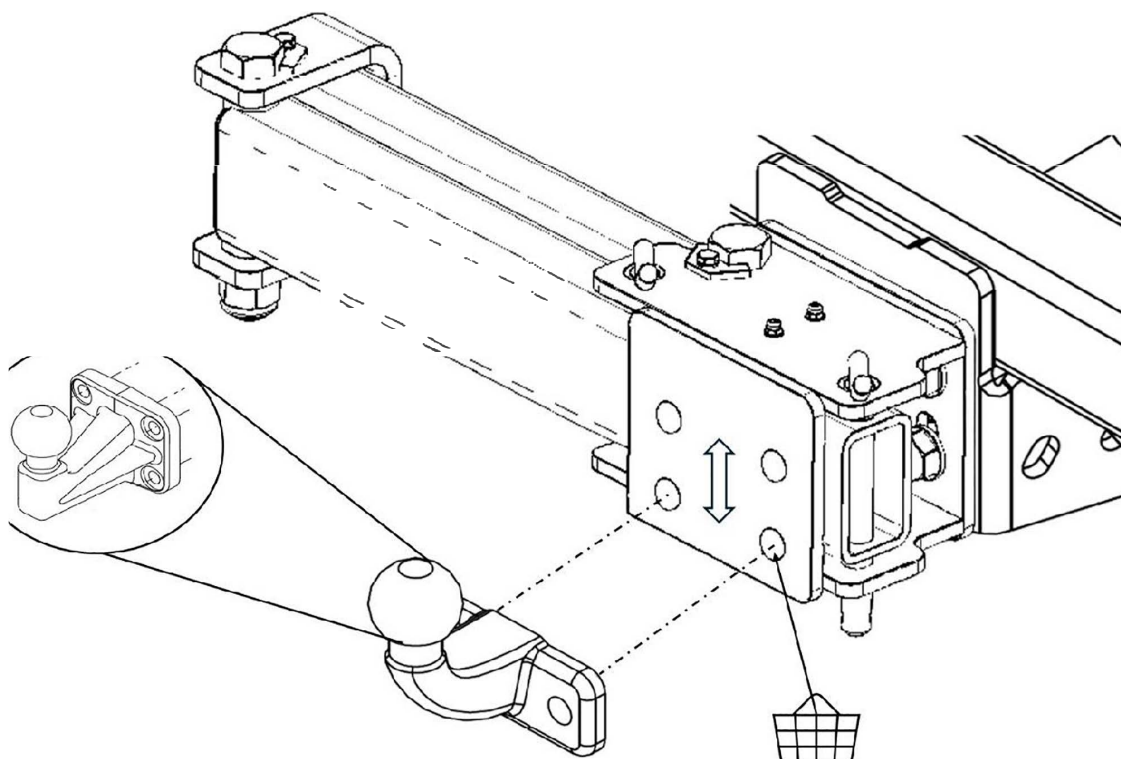
	M12 (8.8)	93 Nm
	M16 (8.8)	230 Nm



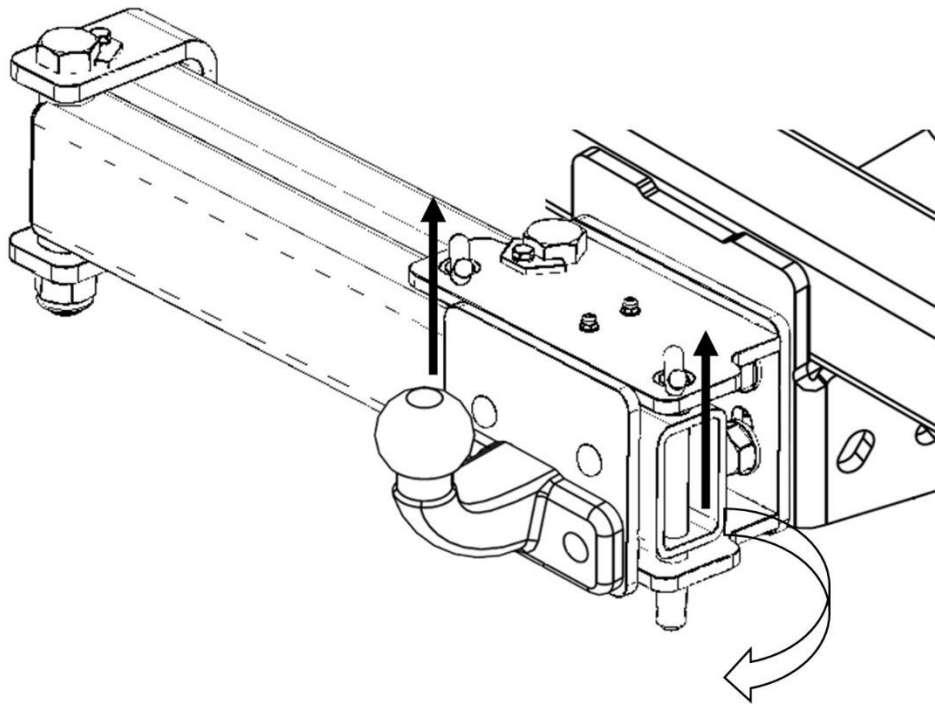


	M12 x 50 (8.8) / M16 x 50 (8.8)	4x 4x
	M12 (8.8) / M16 (8.8)	4x 4x
	Ø 12 Ø 12 x 36 x 3 / Ø 16	4x 4x 8x
	Ø 12 / Ø 16	4x 4x

3



4



composition du kit



REMORQUES
DU NORD



car
attelage